

ZEPHYR

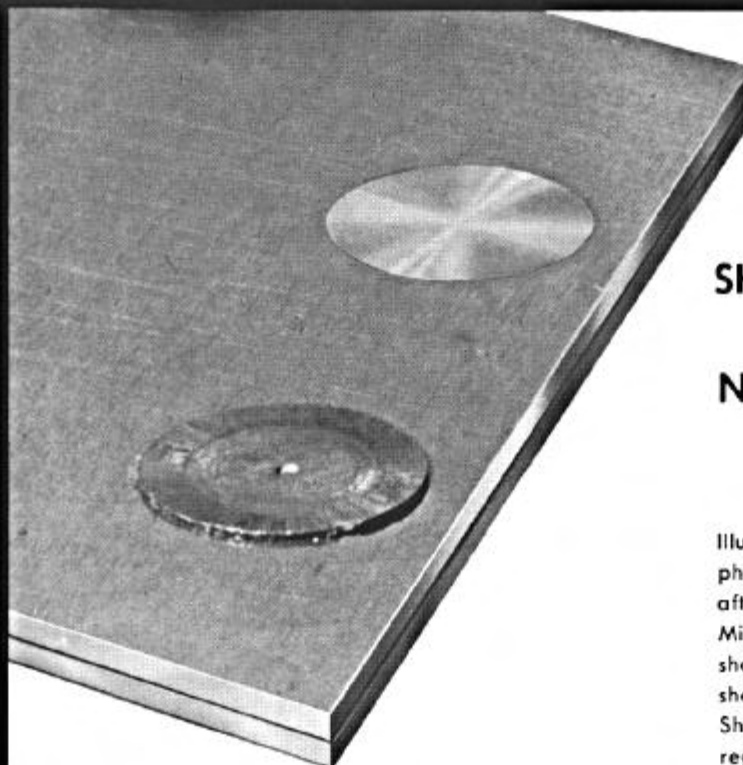
MICRO SHAVERS

**POSITIVE
MICRO-STOP
DEPTH CONTROL**



Fingertip **ADJUSTMENT IN
IN .0005" INCREMENTS**

Adjustment for depth of cut in increments of .0005". To adjust grasp locking with thumb and index finger and retract. Turn nosepiece to right to increase depth of cut, left to decrease. Retraction of footpiece constant over entire range of adjustment.



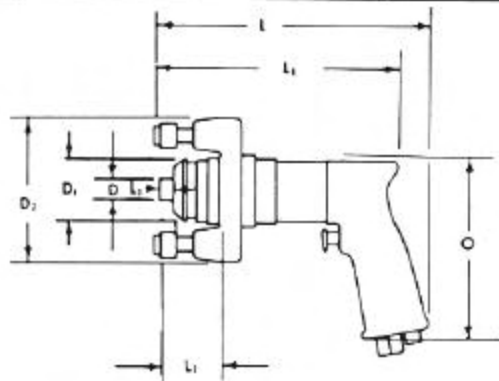
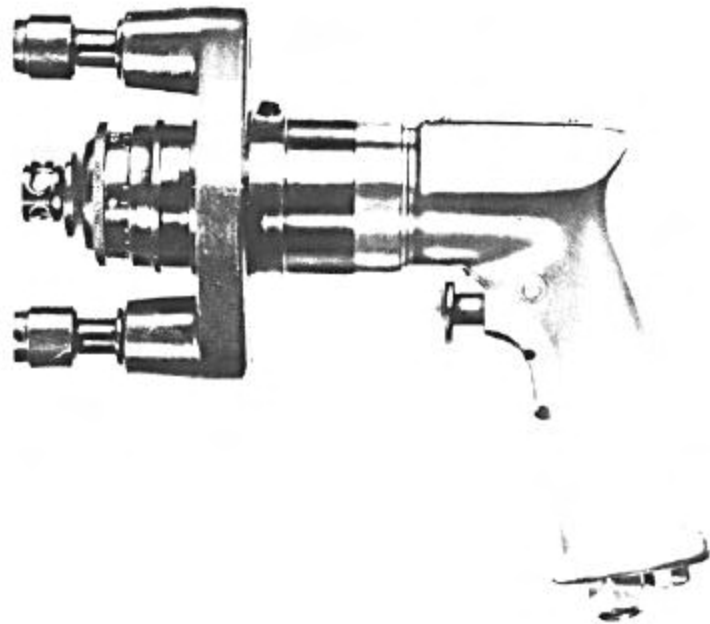
SHAVES CLEAN

NO SCRATCHING

Illustrated at the left is an actual photograph of rivets before and after shaving by the Zephyr Micro-Shaver. Rivet has been shaved flush to precise plane of sheet without surface scratching. Shaving process is consistent regardless of rivet height.

MODEL ZT706
PNEUMATIC

Fingertip ADJUSTMENT IN .0005" INCREMENTS



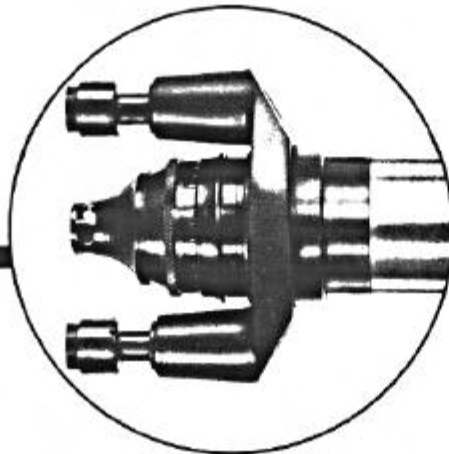
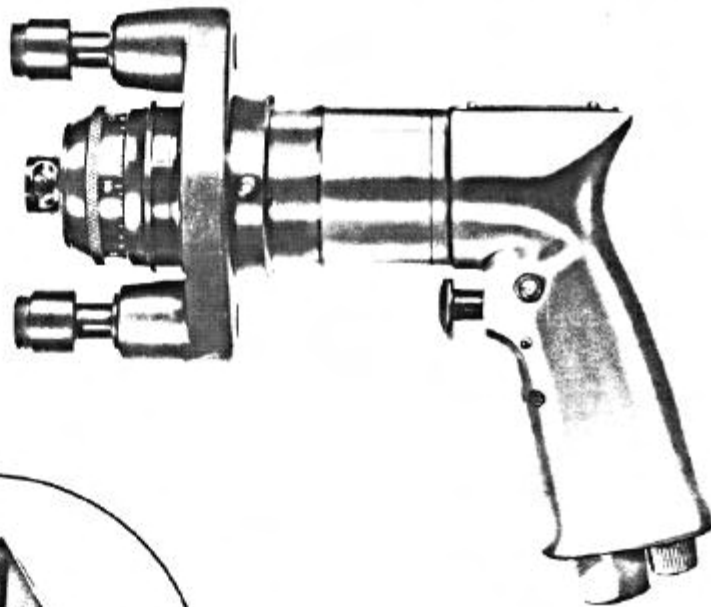
For standard duty shaving up to $\frac{3}{8}$ " diameter. Light, small, easy to handle.

Zephyr's most popular model for virtually every shaving need.

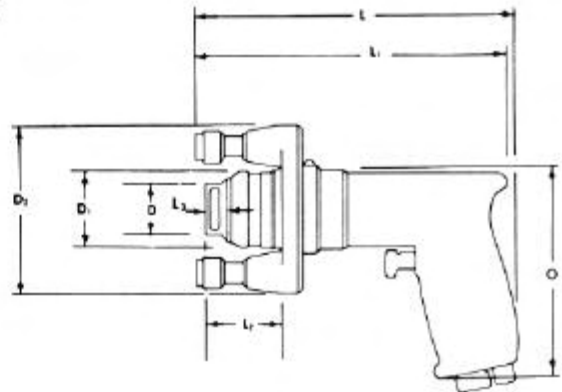
MODEL	CUTTER CAPACITY	WT. LESS CUTTER	CUTTER RPM	D _(max)	D ₁	D ₂	L	L ₁	L ₂	L ₃	O
ZT706	$\frac{3}{8}$ "	3#	15,000	$1\frac{1}{8}$ "	$1\frac{1}{2}$ "	4"	$7\frac{1}{2}$ "	$6\frac{3}{8}$ "	$1\frac{3}{8}$ "	$\frac{3}{8}$ "	$4\frac{1}{8}$ "
ZT706E	$\frac{3}{8}$ "	3#	15,000	$1\frac{1}{8}$ "	$1\frac{1}{2}$ "	4"	$7\frac{1}{4}$ "	$6\frac{1}{4}$ "	$2\frac{1}{4}$ "	$\frac{3}{8}$ "	$4\frac{1}{8}$ "

MODEL
ZT405IR
PNEUMATIC

Fingertip ADJUSTMENT IN .0005" INCREMENTS



NOTE: Models ZT706E & ZT405EIR extended footpieces and special stabilizer feet available for that "Hard to Get At" spot. When ordering, specify ZT706E or ZT405EIR.



MODEL	CUTTER CAPACITY	WT. LESS CUTTER	CUTTER RPM	D(max)	D ₁	D ₂	L	L ₁	L ₂	L ₃	O
ZT405IR	1 1/4"	3 1/2#	20,000	1 3/8"	1 3/4"	4"	7 3/4"	6 7/8"	1 3/8"	3/8"	5 1/8"
ZT405EIR	1 1/4"	3 1/2#	20,000	1 3/8"	1 3/4"	4"	8 1/8"	7 1/4"	2 1/4"	7/8"	5 1/8"

Heavy duty unit to handle cutters up to 1 1/4" diameter.

ZEPHYR

MICRO SHAVER CUTTERS

Made to order, priced on application

CARBIDE
TIPPED
CUTTERS

THESE CUTTERS ARE DESIGNED FOR USE IN
ZEPHYR MICRO SHAVERS.



CUTTERS
FOOTPIECES
AND
FOOTPLATES



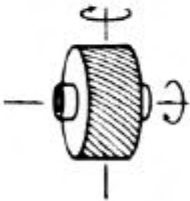
These sizes are available with the correct combinations of cutters, footpieces and footplates as noted.

	CUTTER DIA.	CUTTER STANDARD	FOOTPIECE STANDARD PNEUMATIC	FOOTPIECE EXTENDED PNEUMATIC	FOOTPIECE THREADED EXTENDED PNEUMATIC	FOOTPLATE NYLON TYPE
MODEL ZT706	1/4"	ZT108-0		ZT306040	NOT MADE	NOT MADE
	3/8"	ZT108-1		ZT306041	NOT MADE	NOT MADE
	1/2"	ZT108-2		ZT306042	NOT MADE	NOT MADE
	5/8"	ZT108-3		ZT306043	ZT306050	ZT205053
	3/4"	ZT108-4		ZT306044	ZT306051	ZT205054
	7/8"	ZT108-5		ZT306045	ZT306052	ZT205055
	1"	ZT108-6		ZT306046	ZT306053	ZT205056
MODEL ZT706	1/4"	ZT108-0	ZT306020	ZT306040	NOT MADE	NOT MADE
	3/8"	ZT108-1	ZT306021	ZT306041	NOT MADE	NOT MADE
	1/2"	ZT108-2	ZT306022	ZT306042	NOT MADE	NOT MADE
	5/8"	ZT108-3	ZT306023	ZT306043	ZT306050	ZT205053
	3/4"	ZT108-4	ZT306024	ZT306044	*ZT306051	ZT205054
	7/8"	ZT108-5	ZT306025	ZT306045	ZT306052	ZT205055
	1"	ZT108-6	ZT306026	ZT306046	ZT306053	ZT205056
MODEL ZT405IR	3/8"	ZT108-2	ZT405022	ZT405052	NOT MADE	NOT MADE
	1/2"	ZT108-3	ZT405023	ZT405053	ZT405032	ZT205053
	5/8"	ZT108-4	ZT405024	ZT405054	ZT405033	ZT205054
	3/4"	ZT108-5	ZT405025	ZT405055	ZT405034	ZT205055
	7/8"	ZT108-6	ZT405026	ZT405056	ZT405035	ZT205056
	1"	ZT108-7	ZT405027	ZT405057	ZT405036	ZT205057
	1 1/8"	ZT108-8	ZT405028	ZT405058	ZT405038	ZT205058
	1 1/4"	ZT108-9	ZT405029	ZT405059	ZT405038	ZT205058
	1 1/2"	ZT108-10	ZT405030	ZT405060	ZT405039	ZT205059
	1 3/4"	ZT108-11	ZT4050110			

ZEPHYR

SUPER SHAVER

**DUAL
ROTATION
TYPE
CUTTERS**



**FOR USE ON TITANIUM, STAINLESS STEEL,
MONEL AND SIMILAR HIGH STRENGTH FASTENERS**



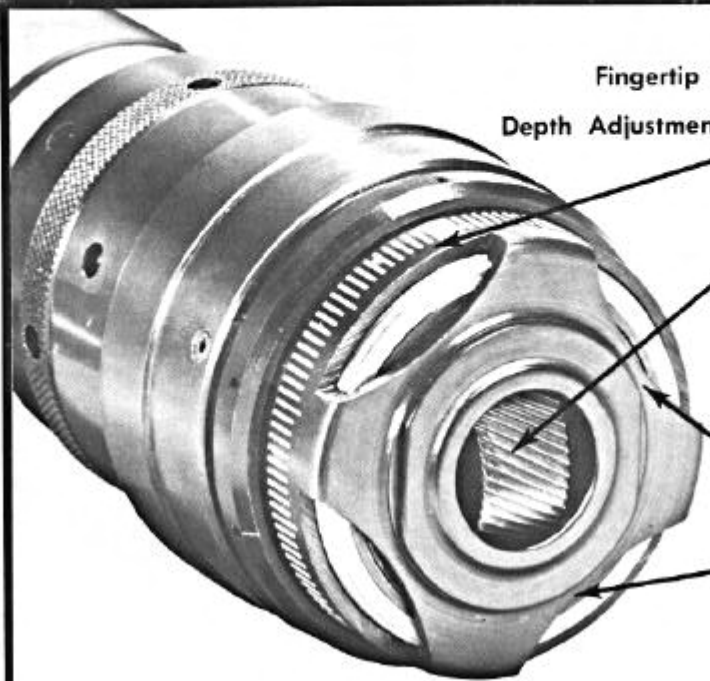
**MODEL
ZT507C**

- DUAL ROTATION CUTTING ACTION.
- MICROMETER DIAL TYPE ADJUSTMENT WITH .0005 INCH INCREMENTS.
- POSITIVE CUTTING DEPTH CONTROL.
- SOLID CARBIDE CUTTERS.
- CUTTER ROTATION — 12,000 R.P.M.

ZEPHYR

SUPER SHAVER

FLUSH FINISHES
EXTRA HARD AND
TOUGH MATERIALS



Fingertip Control of Cutters
Depth Adjustments in Increments of .0005"

Dual Rotation
Cutter Eliminates
Center Dead Point

Exhaust Air
blows chips away
from cutter and
cools cutter

STABILIZER ASSEMBLY



Removable Stabilizer Assembly is easily installed on shaver to prevent "walking" across the sheet. It is especially recommended for use with ZT507 Dual Rotation model.

NOTE: Stabilizer Assembly, available as accessory. If required, specify at time of order.

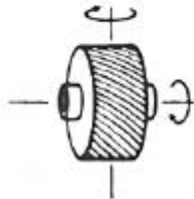
ZEPHYR

SUPER SHAVER

**MODEL
ZT507C**

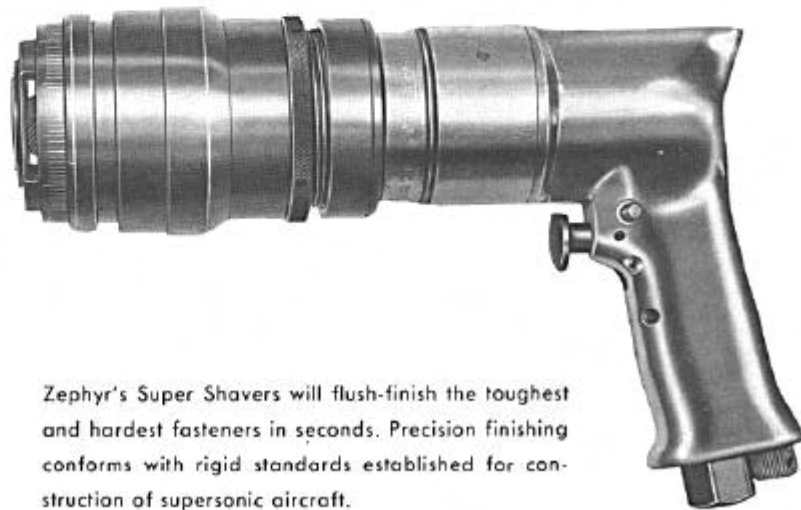
C
MODEL ZT507C rotates
cutter at approximately
12,000 rpm

Weight: 5½ lbs.



Dual Rotation

For use on Titanium, Stainless Steel, Monel
and similar high-strength fasteners.

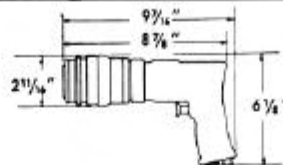


Zephyr's Super Shavers will flush-finish the toughest
and hardest fasteners in seconds. Precision finishing
conforms with rigid standards established for con-
struction of supersonic aircraft.

**CARBIDE
CUTTERS**



Zephyr's Carbide Cutters
are precision ground for
high speed usage and
long life. They are fluted
to meet the special re-
quirements for various
metals and finishes.



CUTTERS FOR ZT507 SUPER SHAVER

CUTTER NUMBER	MATERIAL	DIAMETER	WIDTH	NO. OF TEETH	CHIP BREAKER	APPLICATION
ZT507-20B	CARBIDE	1 1/8"	1/2"	49	NO	MONEL STEEL, TITANIUM
ZT507-21B	CARBIDE	1 1/8"	3/4"	49	NO	MONEL STEEL, TITANIUM
ZT507-22B	CARBIDE	1 1/8"	1/2"	25	NO	MONEL STEEL, TITANIUM, JO BOLT
ZT507-23B	CARBIDE	1 1/8"	3/4"	49	NO	MONEL STEEL, TITANIUM
ZT507-24B	CARBIDE	1 1/8"	1/2"	37	YES	NACA, STRAYLAR RIVET, ALUMINUM, JO BOLT
ZT507-25B	CARBIDE	1 1/8"	3/4"	37	YES	NACA, STRAYLAR RIVET, ALUMINUM, JO BOLT
ZT507-26B	CARBIDE	1 1/8"	3/4"	37	YES	NACA, STRAYLAR RIVET, ALUMINUM, JO BOLT
ZT507-27B	CARBIDE	1 1/8"	1/2"	25	NO	A-286 STAINLESS STEEL RIVET
ZT507-28B	CARBIDE	1 1/8"	3/4"	25	NO	A-286 STAINLESS STEEL RIVET
ZT507-29B	CARBIDE	1 1/8"	3/4"	49	NO	MONEL STEEL, TITANIUM

FOOTPIECES

CUTTER WIDTH	STEEL FOOTPIECE	NYLON FOOTPIECE	CLOSE QUARTER NOSEPIECE
3/8" & 7/16"	ZT507084	—	ZT507094
1/2"	ZT507029	ZT507041	ZT507092
3/4"	ZT507035	ZT507055	—