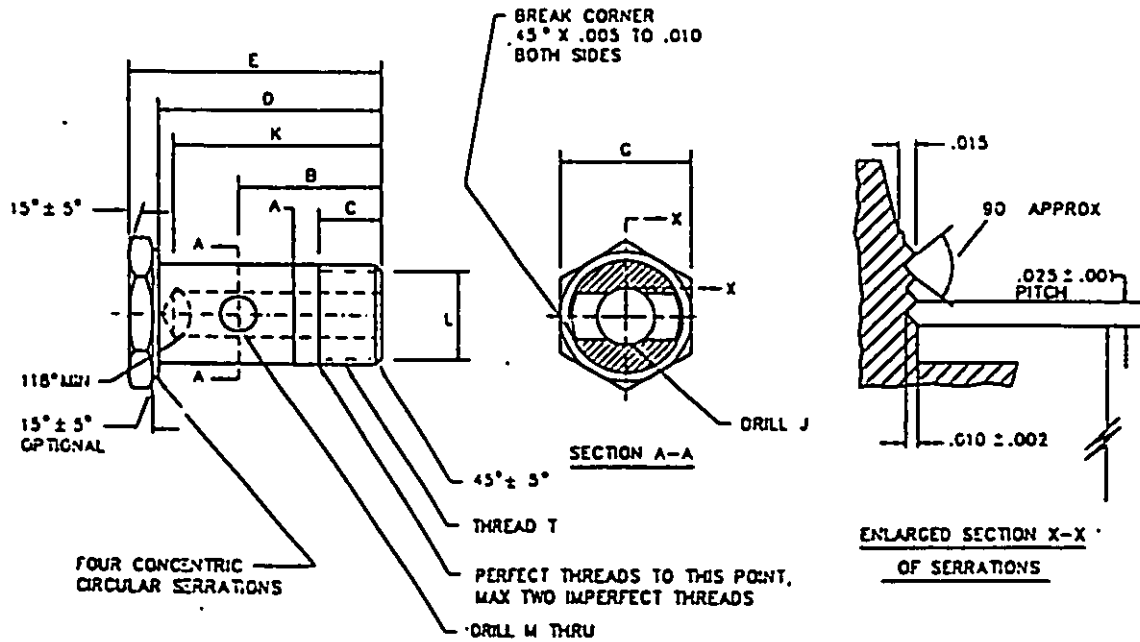


THE REQUIREMENTS FOR ACQUIRING THE PRODUCT(S) DESCRIBED HEREIN SHALL CONSIST OF THIS AERONAUTICAL STANDARD AND THE ISSUE OF THE FOLLOWING SPECIFICATION LISTED IN THAT ISSUE OF THE INDEX SPECIFIED IN THE SOLICITATION: MIL-F-5509



DIMENSIONS T, A, F, AND J, SHALL BE CONCENTRIC WITHIN .003 TOTAL INDICATOR READING
 MATERIAL: STEEL (125,000 PSI MINIMUM TENSILE STRENGTH); ALUMINUM ALLOY; CORROSION RESISTANT
 STEEL (CRES); TITANIUM ALLOY; BARS, SHAPES, OR FORGING (SEE PROCUREMENT SPECIFICATION).

FINISH: SEE PROCUREMENT SPECIFICATION: MIL-F-5509

BREAK ALL SHARP EDGES AND REMOVE ALL HANGING BURRS AND SLIVERS.

NO CODE LETTER IN PART NUMBER FOR STEEL
 ADD D AFTER DASH NUMBER FOR ALUMINUM ALLOY (EXCEPT 7075-T73)
 ADD J AFTER DASH NUMBER FOR CRES, TYPE 304
 ADD K AFTER DASH NUMBER FOR CRES, TYPE 316
 ADD R AFTER DASH NUMBER FOR CRES, TYPE 321
 ADD T AFTER DASH NUMBER FOR TITANIUM ALLOY
 ADD W AFTER DASH NUMBER FOR 7075-T73 ALUMINUM ALLOY.

TITANIUM IS NOT RECOMMENDED FOR USE IN OXYGEN SYSTEMS.

EXAMPLE OF PART NUMBERS:

- AN775-4 - BOLT, .500 TUBING, STEEL
- AN775-4D - BOLT, .500 TUBING, ALUMINUM ALLOY (EXCEPT 7075-T73)
- AN775-4J - BOLT, .500 TUBING, CRES, TYPE 304
- AN775-4K - BOLT, .500 TUBING, CRES, TYPE 316
- AN775-4R - BOLT, .500 TUBING, CRES, TYPE 321
- AN775-4T - BOLT, .500 TUBING, TITANIUM ALLOY
- AN775-4W - BOLT, .500 TUBING, 7075-T73 ALUMINUM ALLOY

DIMENSIONS IN INCHES. UNLESS OTHERWISE SPECIFIED, TOLERANCES DECIMALS ± .005, ANGLES ± .5°

IN THE EVENT OF A CONFLICT BETWEEN THE TEXT OF THIS DOCUMENT AND THE REFERENCES CITED HEREIN, THE TEXT OF THIS DOCUMENT TAKES PRECEDENCE. NOTHING IN THIS DOCUMENT HOWEVER, SUPERSEDES APPLICABLE LAWS AND REGULATIONS UNLESS A SPECIFIC EXEMPTION HAS BEEN OBTAINED.

REFERENCED DOCUMENTS SHALL BE OF THE ISSUE IN EFFECT ON DATE OF INVITATIONS FOR BID.

Revision letters are not used to denote changes due to the extensiveness of the changes.

INCH-POUND

| | | |
|---|---|--|
| PREPARING ACTIVITY: USAF-62 DISTRIBUTION: ARMY - NAVY - AIR FORCE -99 DLA - REVIEW: Army - AV DLA-CS Navy - AS USCP PROJECT NUMBER: 4730-0161 | MILITARY SPECIFICATION SHEET TITLE: BOLT, FLUID PASSAGE | SPECIFICATION SHEET NUMBER AN775 REV 13 16 MAR 94 SUPERSEDING AN775 REV 12 22 MAR 84 AISC: N/A REC: 4730 |
|---|---|--|

DISTRIBUTION STATEMENT A. APPROVED FOR PUBLIC RELEASE; DISTRIBUTION IS UNLIMITED.

THE REQUIREMENTS FOR ACQUIRING THE PRODUCT(S) DESCRIBED HEREIN SHALL CONSIST OF THIS AERONAUTICAL STANDARD AND THE ISSUE OF THE FOLLOWING SPECIFICATION LISTED IN THAT ISSUE OF THE DODISS SPECIFIED IN THE SOLICITATION: MIL-F-5509

| DASH NO. | TUBING OD | THREAD T (REF) | A +.000 -.004 DIA | B ±.010 | C | D |
|----------|-----------|-----------------|----------------------------|------------|------|-------|
| 4 | .250 | .437-20UNJF-3A | .435 | | | |
| 5 | .312 | .500-20UNJF-3A | .498 | .781 | .438 | 1.188 |
| 6 | .375 | .565-18UNJF-3A | .560 | .875 | .468 | 1.344 |
| 8 | .500 | .750-16UNJF-3A | .748 | 1.094 | .562 | 1.688 |
| 10 | .625 | .875-14UNJF-3A | .873 | 1.250 | .594 | 1.969 |
| 12 | .750 | 1.062-12UNJ -3A | 1.060 | 1.468 | | 2.312 |
| 16 | 1.000 | 1.312-12UNJ -3A | 1.310 | 1.687 | .656 | 2.812 |

| DASH NO. | E | F +.010 -.000 DIA | G | | J DIA | K | L DIA | M DIA |
|----------|-------|----------------------------|-------|-------|----------|-------|----------|----------|
| 4 | | .469 | .688 | | .172 | | .344 | .188 |
| 5 | 1.375 | .531 | .750 | | .234 | 1.156 | .406 | .219 |
| 6 | 1.562 | .594 | .813 | ±.004 | .297 | 1.312 | .469 | .250 |
| 8 | 1.938 | .781 | 1.000 | | .391 | 1.656 | .625 | .312 |
| 10 | 2.250 | .906 | 1.125 | ±.005 | .484 | 1.938 | .750 | .375 |
| 12 | 2.625 | 1.094 | 1.375 | | .609 | 2.156 | .938 | .438 |
| 16 | 2.188 | 1.344 | 1.625 | +016 | .844 | 2.578 | .188 | .625 |

THIS STANDARD IS APPROVED FOR USE BY THE AIR FORCE FOR USE BY ALL DEPARTMENTS OF THE DEPARTMENT OF DEFENSE

Revision letters are not used to denote changes due to the extensiveness of the changes.

INCH-POUND

| | | |
|---|---------------------------------------|--|
| PREPARING ACTIVITY: USAF-82 CUSTODIANS: ARMY- NAVY- AIR FORCE- 99 DLA- REVIEW ARMY-AV NAVY-AS DLA-CS PROJECT NUMBER: .4730-0161 | TITLE MILITARY SPECIFICATION SHEET | SPECIFICATION SHEET NUMBER AN775 Rev 13 16 MAR 94 |
| | BOLT, FLUID PASSAGE | SUPERSEDING AN775 Rev 12 22 Mar 84 |
| | | AMSC. N/A FSC. 4730 |
| DISTRIBUTION STATEMENT A. APPROVED FOR PUBLIC RELEASE: DISTRIBUTION IS UNLIMITED. | | Page <u>2</u> of <u>2</u> |