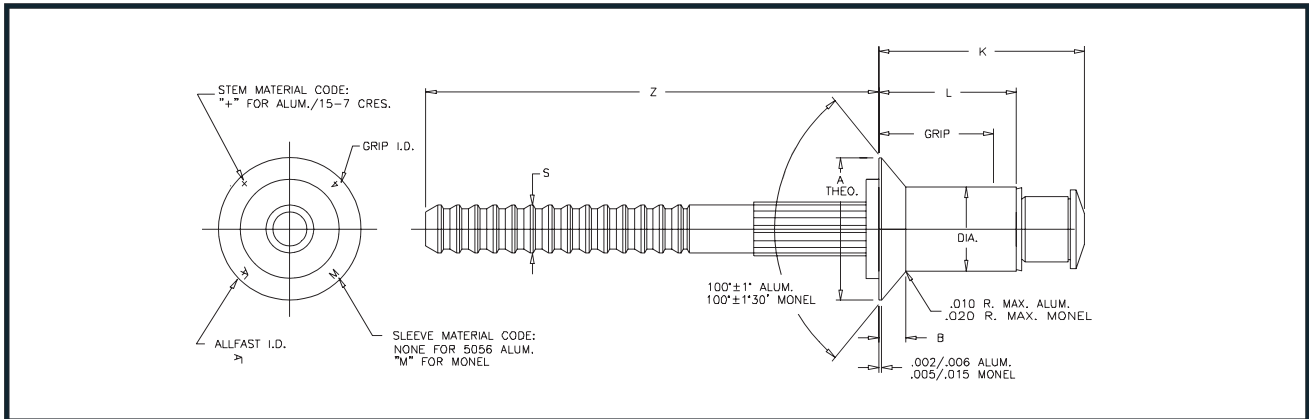


# ALLMAX® BULB RIVETS

## 100° FLUSH HEAD, LOCKED SPINDLE - NOMINAL DIAMETER



DIA. DASH NO.	DIA. +.003 -.001	A DIA. +/- .004	B REF.	S DIA. REF.	Z MIN.	HOLE LIMITS	DRILL SIZE NO.
-4	0.126	0.225	0.042	0.071	0.87	.129 - .132	30
-5	0.157	0.286	0.055	0.089	0.94	.160 - .164	20
-6	0.189	0.353	0.070	0.108	0.94	.192 - .196	10

GRIP LIMITS MIN.	GRIP LIMITS MAX.	GRIP DASH NO.	-4 DIA.		-5 DIA.		-6 DIA.	
			L +.000 -.030	K MAX.	L +.000 -.030	K MAX.	L +.000 -.030	K MAX.
NOTE1	0.125	-02	0.224	0.45	0.230	0.47	0.262	0.51
0.126	0.187	-03	0.287	0.51	0.293	0.53	0.325	0.57
0.188	0.250	-04	0.349	0.57	0.355	0.59	0.387	0.64
0.251	0.312	-05	0.412	0.63	0.418	0.65	0.450	0.70
0.313	0.375	-06	0.474	0.70	0.480	0.72	0.512	0.76
0.376	0.437	-07	0.537	0.76	0.543	0.77	0.575	0.82
0.438	0.500	-08	0.599	0.82	0.605	0.84	0.637	0.88
0.501	0.562	-09	0.662	0.88	0.668	0.90	0.700	0.95
0.563	0.625	-10			0.730	0.96	0.762	1.01
0.626	0.687	-11			0.793	1.02	0.825	1.07
0.688	0.750	-12					0.887	1.13

RIVET NO.	SLEEVE	MATERIAL STEM	LOCK RING	SLEEVE	FINISH STEM	LOCK RING
AF3212 NAS9302B	5056 ALUM. ALLOY QQ-A-430	8740 ALLOY STEEL AMS 6322	A-286 CRES AMS 5731	MIL-C-5541 PLAIN COLOR	CAD PLATE QQ-P-416 TYPE II CLASS II AMS 2700	PASSIVATE AMS 2700
AF3222 NAS9302E	5056 ALUM. ALLOY QQ-A-430	PH 15-7 MO CRES AMS 5657	A-286 CRES AMS 5731	MIL-C-5541 PLAIN COLOR	AMS 2700	PASSIVATE AMS 2700
AF3522 NAS9308M	MONEL QQ-N-281	PH 15-7 MO CRES AMS 5657	A-286 CRES AMS 5731	NONE	AMS 2700	PASSIVATE AMS 2700
AF3522R	MONEL QQ-N-281	PH 15-7 MO CRES AMS 5657	A-286 CRES AMS 5731	NONE	AMS 2700	PASSIVATE AMS 2700
AF3522P NAS9308MN	MONEL QQ-N-281	PH 15-7 MO CRES AMS 5657	A-286 CRES AMS 5731	ALUM. COAT NAS 4006	AMS 2700	PASSIVATE AMS 2700
AF3522F NAS9308ML	MONEL QQ-N-281	PH 15-7 MO CRES AMS 5657	A-286 CRES AMS 5731	MIL-C-83488 ALUM. COAT	AMS 2700	PASSIVATE AMS 2700

NOTES: 1

DIA. DASH NO.	MIN. GRIP
-4	0.063
-5	0.065
-6	0.080

Part Number Example:

