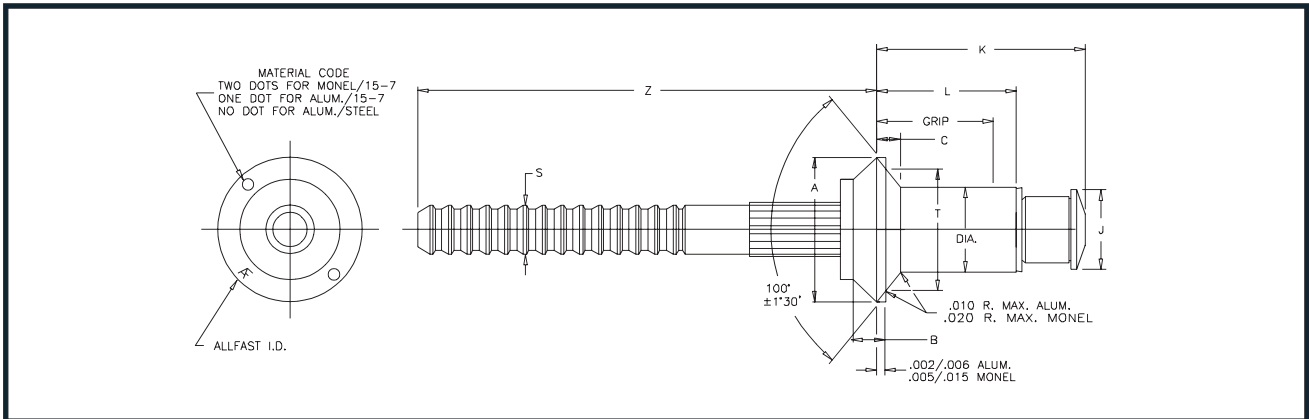


# ALLMAX® BULB RIVETS

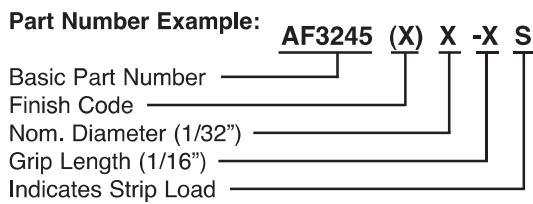
## FLANGED DOME HEAD, LOCKED SPINDLE - OVERSIZE DIAMETER



DIA. DASH NO.	DIA. +.003 - .001	A DIA. +/- .010	B +.010 - .000	C REF.	J MIN.	S REF.	T +.005	Z MIN.	HOLE LIMITS	DRILL SIZE NO.
-4	0.140	0.220	0.022	0.011	0.115	0.081	0.87	0.165	.143 - .146	27
-5	0.173	0.286	0.030	0.015	0.140	0.100	0.94	0.208	.176 - .180	16
-6	0.201	0.353	0.040	0.023	0.160	0.177	0.94	0.225	.205 - .209	5

GRIP LIMITS		GRIP DASH NO.	-4 DIA.		-5 DIA.		-6 DIA.				
MIN.	MAX.		L +.000	-.030	K MAX.	L +.000	-.030	K MAX.	L +.000	-.030	K MAX.
0.033	0.062	-01		0.170	0.39						
0.063	0.125	-02		0.213	0.43	0.246	0.46	0.265	0.50		
0.126	0.187	-03		0.276	0.50	0.309	0.52	0.328	0.56		
0.188	0.250	-04		0.338	0.56	0.371	0.59	0.390	0.62		
0.251	0.312	-05		0.401	0.62	0.434	0.65	0.453	0.68		
0.313	0.375	-06				0.496	0.71	0.515	0.75		
0.376	0.437	-07						0.578	0.81		
0.438	0.500	-08						0.640	0.87		

RIVET NO.	SLEEVE	MATERIAL STEM	LOCK RING	SLEEVE	FINISH STEM	LOCK RING
AF3245 9306B	5056 ALUM. ALLOY	8740 ALLOY STEEL	A-286 CRES AMS 5731	MIL-C-5541 PLAIN COLOR	CAD PLATE QQ-P-416 TYPE II CLASS II	PASSIVATE AMS 2700
AF3255 9306E	5056 ALUM. ALLOY	PH 15-7 MO CRES	A-286 CRES AMS 5731	MIL-C-5541 PLAIN COLOR	AMS 2700	PASSIVATE AMS 2700
AF3555 9310M	MONEL QQ-N-281	PH 15-7 MO CRES	A-286 CRES AMS 5731	NONE	AMS 2700	PASSIVATE AMS 2700
AF3555P 9312MN	MONEL QQ-N-281	PH 15-7 MO CRES	A-286 CRES AMS 5731	ALUM. COAT NAS 4006	AMS 2700	PASSIVATE AMS 2700
AF3555F 9312ML	MONEL QQ-N-281	PH 15-7 MO CRES	A-286 CRES AMS 5731	MIL-C-83488 ALUM. COAT	AMS 2700	PASSIVATE AMS 2700
AF3855R NOTE 7	MONEL QQ-N-281	PH 15-7 MO CRES	A-286 CRES AMS 5731	NONE	AMS 2700	PASSIVATE AMS 2700



ALLMAX® OVERSIZE DIAMETERS