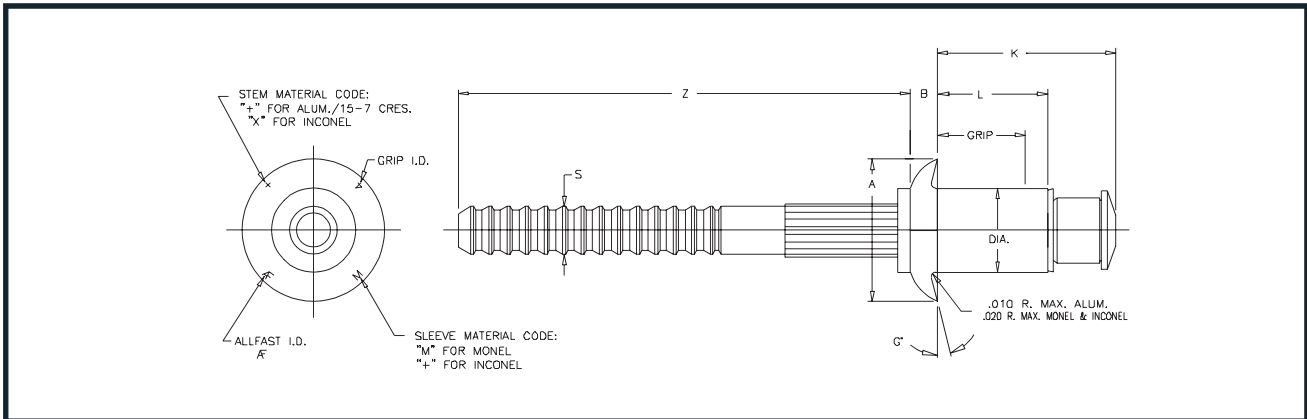


ALLMAX® BULB RIVETS

UNIVERSAL HEAD, LOCKED SPINDLE - OVERSIZE DIAMETER



DIA. DASH NO.	DIA. +.003 -.001	A DIA. +/- .004	B REF.	S DIA. REF.	Z MIN.	HOLE LIMITS	DRILL SIZE NO.	G MAX. DEGREES
-4	0.140	0.250	0.059	0.081	0.87	.143 - .146	27	8
-5	0.173	0.312	0.072	0.100	0.94	.176 - .180	16	8
-6	0.201	0.375	0.085	0.117	0.94	.205 - .209	5	8

GRIP LIMITS MIN. MAX.		GRIP DASH NO.	-4 DIA. L +.000 -.030	K MAX.	-5 DIA. L +.000 -.030	K MAX.	-6 DIA. L +.000 -.030	K MAX.
NOTE 1	0.062	-01	.175	0.37	0.203	0.43	0.242	0.45
0.063	0.125	-02	.238	0.46	0.246	0.47	0.265	0.50
0.126	0.187	-03	.301	0.52	0.309	0.53	0.328	0.55
0.188	0.250	-04	.363	0.58	0.371	0.60	0.390	0.62
0.251	0.312	-05	.426	0.65	0.434	0.66	0.453	0.68
0.313	0.375	-06	.488	0.71	0.496	0.72	0.515	0.74
0.376	0.437	-07	.551	0.78	0.559	0.79	0.578	0.82
0.438	0.500	-08	.613	0.84	0.621	0.85	0.640	0.89
0.501	0.562	-09	.676	0.90	0.684	0.91	0.703	0.95
0.563	0.625	-10			0.746	0.98	0.765	1.01
0.626	0.687	-11			0.809	1.04	0.828	1.07
0.688	0.750	-12					0.890	1.14

RIVET NO.	SLEEVE	MATERIAL STEM	LOCK RING	SLEEVE	FINISH STEM	LOCK RING
AF3243 NAS9304B	5056 ALUM. ALLOY QQ-A-430	8740 ALLOY STEEL AMS 6322	A-286 CRES AMS 5731	MIL-C-5541 PLAIN COLOR	CAD PLATE QQ-P-416 TYPE II CLASS II AMS 2700	PASSIVATE AMS 2700
AF3253 NAS9304E	5056 ALUM. ALLOY QQ-A-430	PH 15-7 MO CRES AMS 5657	A-286 CRES AMS 5731	MIL-C-5541 PLAIN COLOR	AMS 2700	PASSIVATE AMS 2700
AF3553 NAS9310M	MONEL QQ-N-281	PH 15-7 MO CRES AMS 5657	A-286 CRES AMS 5731	NONE	AMS 2700	PASSIVATE AMS 2700
AF3553R NOTE 7	MONEL QQ-N-281	PH 15-7 MO CRES AMS 5657	A-286 CRES AMS 5731	NONE	AMS 2700	PASSIVATE AMS 2700
AF3553P NAS9310MN	MONEL QQ-N-281	PH 15-7 MO CRES AMS 5657	A-286 CRES AMS 5731	ALUM. COAT NAS 4006	AMS 2700	PASSIVATE AMS 2700
AF3553F NAS9310ML	MONEL QQ-N-281	PH 15-7 MO CRES AMS 5657	A-286 CRES AMS 5731	MIL-C-83488 ALUM. COAT	AMS 2700	PASSIVATE AMS 2700
AF3852 NAS9310C	INCONEL 600 AMS5687	INCONEL X-750 AMS5698	A-286 CRES AMS 5731	NONE	NONE	PASSIVATE AMS 2700

NOTES: 1

DIA. DASH NO.	MIN. GRIP
-4	0.025
-5	0.031
-6	0.037

Part Number Example:

AF3243 (X) X -X S

Basic Part Number _____
 Finish Code _____
 Nom. Diameter (1/32") _____
 Grip Length (1/16") _____
 Indicates Strip Load _____

ALLMAX® OVERSIZE DIAMETERS