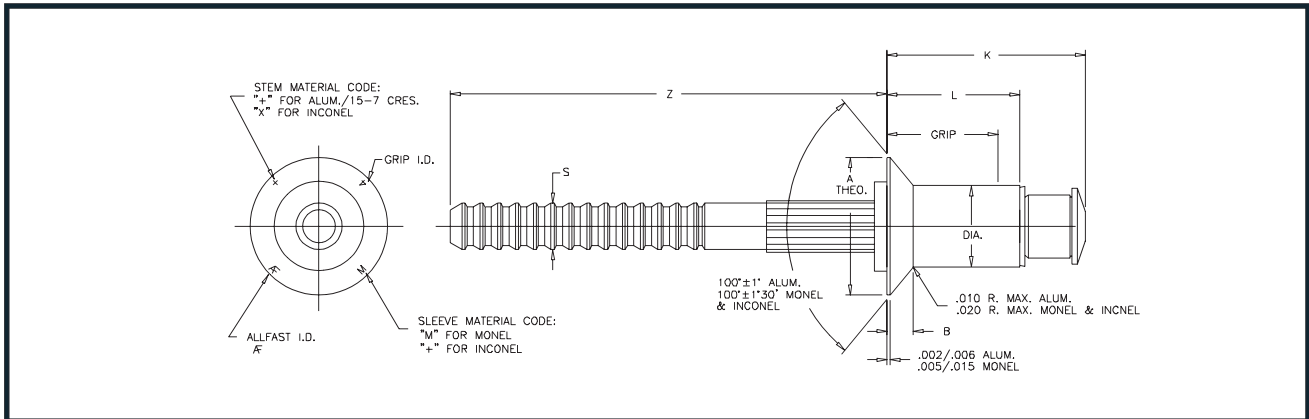


ALLMAX® BULB RIVETS

100° FLUSH HEAD, LOCKED SPINDLE - OVERSIZE DIAMETER



DIA. DASH NO.	DIA. +.003 - .001	A DIA. +/- .004	B REF.	S DIA. REF.	Z MIN.	HOLE LIMITS	DRILL SIZE NO.
-4	0.140	0.225	0.035	0.081	0.87	.143 - .146	27
-5	0.173	0.286	0.047	0.100	0.94	.176 - .180	16
-6	0.201	0.353	0.063	0.117	0.94	.205 - .209	5

GRIP LIMITS		GRIP DASH NO.	-4 DIA.		-5 DIA.		-6 DIA.		
MIN.	MAX.		L +.000	-.030	K MAX.	L +.000	-.030	K MAX.	
NOTE1	0.125	-02	0.238		0.45	0.266	0.47	0.265	0.48
	0.126	-03	0.301		0.52	0.309	0.53	0.328	0.55
	0.188	-04	0.363		0.58	0.371	0.60	0.390	0.62
	0.251	-05	0.426		0.65	0.434	0.66	0.453	0.68
	0.313	-06	0.488		0.77	0.496	0.72	0.515	0.74
	0.376	-07	0.551		0.78	0.559	0.79	0.578	0.82
	0.438	-08	0.613		0.84	0.621	0.85	0.640	0.89
	0.501	-09	0.676		0.90	0.684	0.91	0.703	0.95
	0.563	-10				0.746	0.98	0.765	1.01
	0.626	-11				0.809	1.04	0.828	1.07
	0.688	-12						0.890	1.14

RIVET NO.	SLEEVE	MATERIAL STEM	LOCK RING	SLEEVE	FINISH STEM	LOCK RING
AF3242 NAS9305B	5056 ALUM. ALLOY QQ-A-430	8740 ALLOY STEEL AMS 6322	A-286 CRES AMS 5731	MIL-C-5541 PLAIN COLOR	CAD PLATE QQ-P-416 TYPE II CLASS II AMS 2700	PASSIVATE AMS 2700
AF3252 NAS9305E	5056 ALUM. ALLOY QQ-A-430	PH 15-7 MO CRES AMS 5657	A-286 CRES AMS 5731	MIL-C-5541 PLAIN COLOR	AMS 2700	PASSIVATE AMS 2700
AF3552 NAS9311M	MONEL QQ-N-281	PH 15-7 MO CRES AMS 5657	A-286 CRES AMS 5731	NONE	AMS 2700	PASSIVATE AMS 2700
AF3552R	MONEL QQ-N-281	PH 15-7 MO CRES AMS 5657	A-286 CRES AMS 5731	NONE	AMS 2700	PASSIVATE AMS 2700
AF3552P NAS9311MN	MONEL QQ-N-281	PH 15-7 MO CRES AMS 5657	A-286 CRES AMS 5731	ALUM. COAT NAS 4006	AMS 2700	PASSIVATE AMS 2700
AF3552F NAS9311ML	MONEL QQ-N-281	PH 15-7 MO CRES AMS 5657	A-286 CRES AMS 5731	MIL-C-83488 ALUM. COAT	AMS 2700	PASSIVATE AMS 2700
AF3852 NAS9311C	INCONEL 600 AMS5687	INCONEL X-750 AMS5698	A-286 CRES AMS 5731	NONE	NONE	PASSIVATE AMS 2700

NOTES: 1

DIA. DASH NO.	MIN. GRIP
-4	0.045
-5	0.063
-6	0.073

Part Number Example:

AF3242 (X) X -X S

Basic Part Number _____
 Finish Code _____
 Nom. Diameter (1/32") _____
 Grip Length (1/16") _____
 Indicates Strip Load _____

ALLMAX® OVERSIZE DIAMETERS