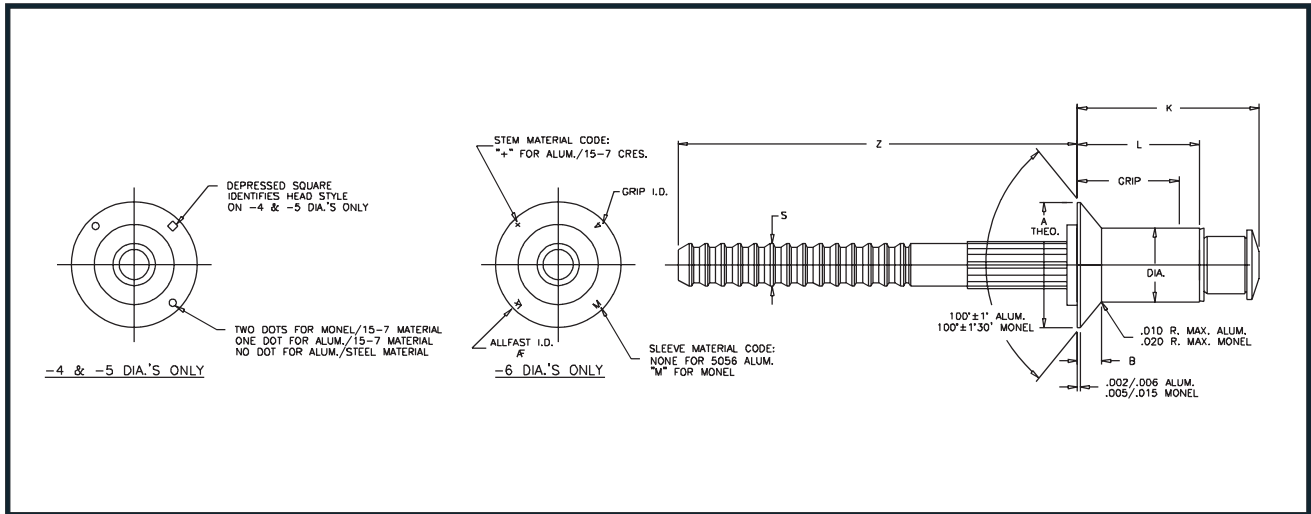


ALLMAX® BULB RIVETS

100° FLUSH SHEAR HEAD, LOCKED SPINDLE - NOMINAL DIAMETER



DIA. DASH NO.	+ .003	- .001	A DIA. +/- .004	B REF.	S DIA. REF.	Z MIN.	HOLE LIMITS	DRILL SIZE NO.
-4	0.126		0.192	0.028	0.071	0.87	.129 - .132	30
-5	0.157		0.243	0.037	0.089	0.94	.160 - .164	20
-6	0.189		0.299	0.046	0.108	0.94	.192 - .196	10

GRIP LIMITS MIN.	GRIP LIMITS MAX.	GRIP DASH NO.	-4 DIA.		-5 DIA.		-6 DIA.			
			L +.000	-.030	K MAX.	L +.000	-.030	K MAX.	L +.000	-.030
NOTE1	0.125	-02	0.224		0.45	0.230	0.47	0.262		0.51
0.126	0.187	-03	0.287		0.51	0.293	0.53	0.325		0.57
0.188	0.250	-04	0.349		0.57	0.355	0.59	0.387		0.64
0.251	0.312	-05	0.412		0.63	0.418	0.65	0.450		0.70
0.313	0.375	-06	0.474		0.70	0.480	0.72	0.512		0.76
0.376	0.437	-07	0.537		0.76	0.543	0.77	0.575		0.82
0.438	0.500	-08	0.599		0.82	0.605	0.84	0.637		0.88
0.501	0.562	-09	0.662		0.88	0.668	0.90	0.700		0.95
0.563	0.625	-10				0.730	0.96	0.762		1.01
0.626	0.687	-11				0.793	1.02	0.825		1.07
0.688	0.750	-12						0.887		1.13

RIVET NO.	SLEEVE	MATERIAL STEM	LOCK RING	SLEEVE	FINISH STEM	LOCK RING
AF3214 NAS9303B	5056 ALUM. ALLOY	8740 ALLOY STEEL	A-286 CRES AMS 5731	MIL-C-5541 PLAIN COLOR	CAD PLATE QQ-P-416 TYPE II CLASS II	PASSIVATE AMS 2700
AF3224 NAS9303E	5056 ALUM. ALLOY	PH 15-7 MO CRES	A-286 CRES AMS 5731	MIL-C-5541 PLAIN COLOR	AMS 2700	PASSIVATE AMS 2700
AF3524 NAS9309M	MONEL QQ-N-281	PH 15-7 MO CRES	A-286 CRES AMS 5731	NONE	AMS 2700	PASSIVATE AMS 2700
AF3524R	MONEL QQ-N-281	PH 15-7 MO CRES	A-286 CRES AMS 5731	NONE	AMS 2700	PASSIVATE AMS 2700
AF3524P NAS9309MN	MONEL QQ-N-281	PH 15-7 MO CRES	A-286 CRES AMS 5731	ALUM. COAT NAS 4006	AMS 2700	PASSIVATE AMS 2700
AF3524F NAS9309ML	MONEL QQ-N-281	PH 15-7 MO CRES	A-286 CRES AMS 5731	ALUM. COAT MIL-C-83488	AMS 2700	PASSIVATE AMS 2700

NOTES: 1

DIA. DASH NO.	MIN. GRIP
-4	0.063
-5	0.065
-6	0.080

Part Number Example:

AF3214 (X) X -X S

Basic Part Number _____
 Finish Code _____
 Nom. Diameter (1/32") _____
 Grip Length (1/16") _____
 Indicates Strip Load _____